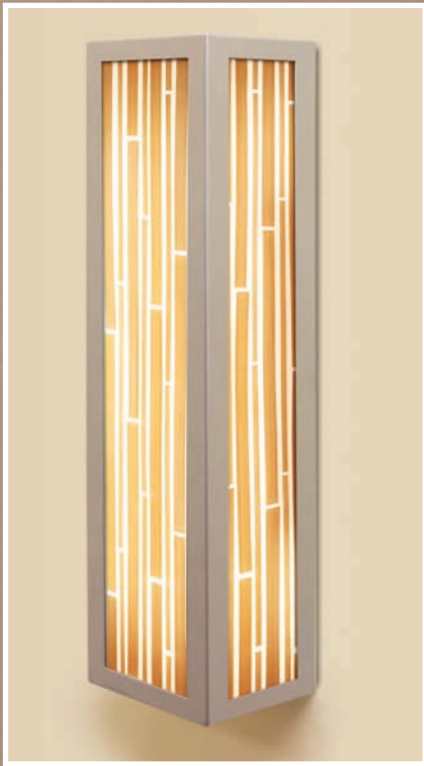


ADA
COMPLIANT

V-II RITTEN HOUSE



shown in silver finish with
Structured Bamboo diffuser



shown in
bronze finish
with Thatch diffuser

STANDARD
DIFFUSER OPTIONS

VERITAS



Savannah Grass

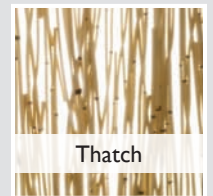
3form



Capiz Honey Sienna



Structured Bamboo



Thatch

Lumicor
architectural resin panels



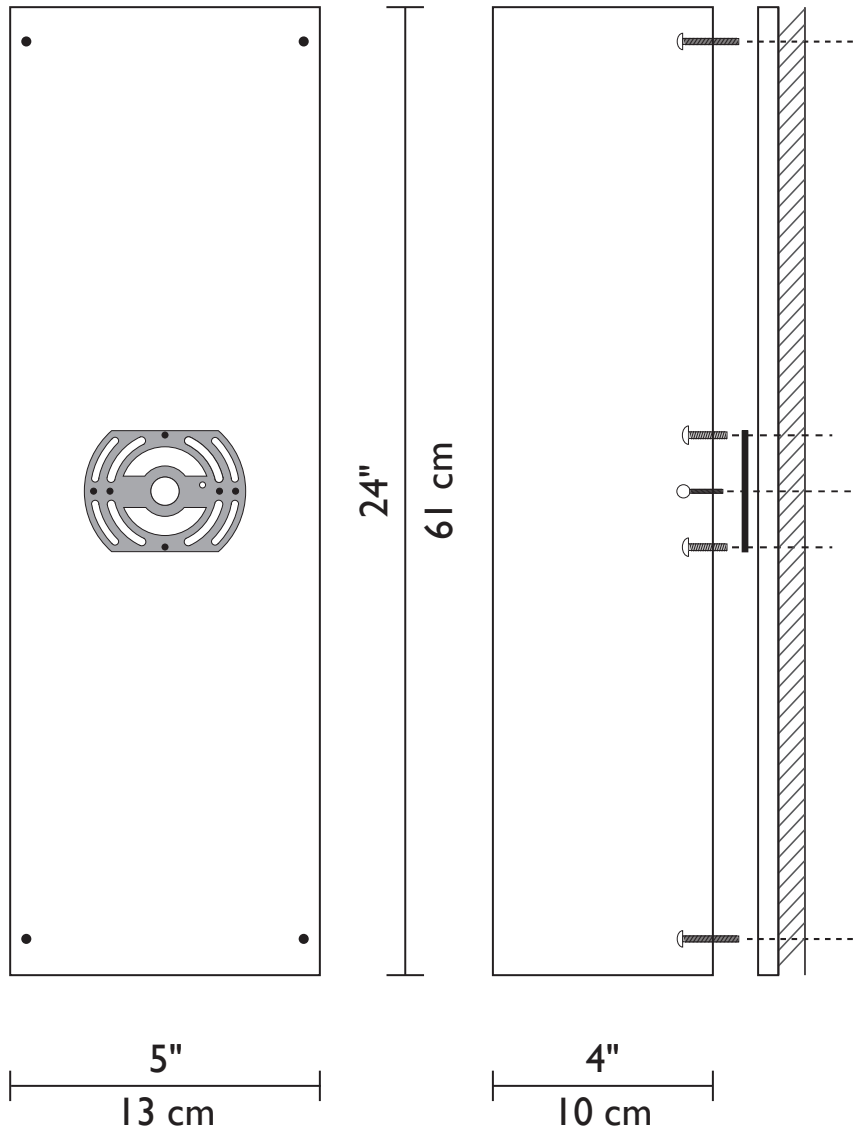
Sepia Lace

ADA
COMPLIANT

V2 - RITTEN HOUSE

Organically inspired diffusers by **3-Form** (3-form.com), **Lumicor** (lumicor.com) and **Veritas Ideas** (veritasideas.com) along with fluorescent illumination, the V2 collection is the epitome of Earth-friendly* while still maintaining a strong sense of elegance and function. Several platform shapes and stock patterns infused with sea shells, grasses or bamboo and an array of custom possibilities make this collection perfect for the vision of any design professional.

Technical and Mounting Information



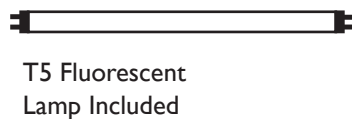
METAL FINISHES

Standard
Bronze
Silver
Special
Wrought Iron

Visit our showroom at the Dallas Trade Mart

Made in USA

Fluorescent Source
5" x 24" x 4" 1 x 24w



Damp Location



1881 Industrial Drive
Libertyville, IL 60048
Tele: 847.680.9043
Fax: 847.680.8140
www.wptdesign.com

*Fluorescent lamps not properly disposed of poison our environment. Properly disposing of your old fluorescent lamps prevents the release of mercury into our water supply.