

Wet Location 

F/N 2 IO



F/N 2 IO
shown in bronze finish
with Baron glass



F/N 2 IO
shown in bronze finish
with Beaujolais glass



F/N 2 IO
shown in bronze finish
with Blush glass



F/N 2 IO
shown in bronze finish
with Amber Lemon Drop glass



F/N 2 IO
shown in bronze finish
with Green Mesh glass



F/N 3 IO
shown in bronze
finish with Garcia glass



F/N 3 IO
shown in bronze finish
with Wired Green glass



F/N 3 IO
shown in bronze finish
with Wired Rose glass

F/N 3 IO

Wet Location 

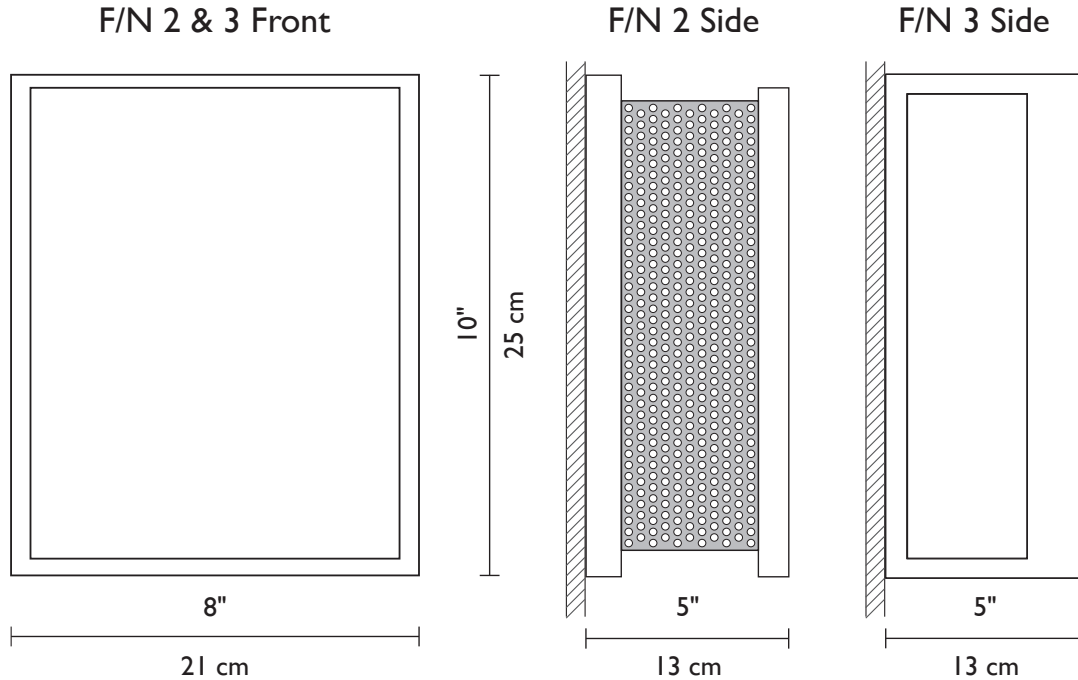


F/N 3 IO
shown in
bronze finish with
Red Window Blue glass

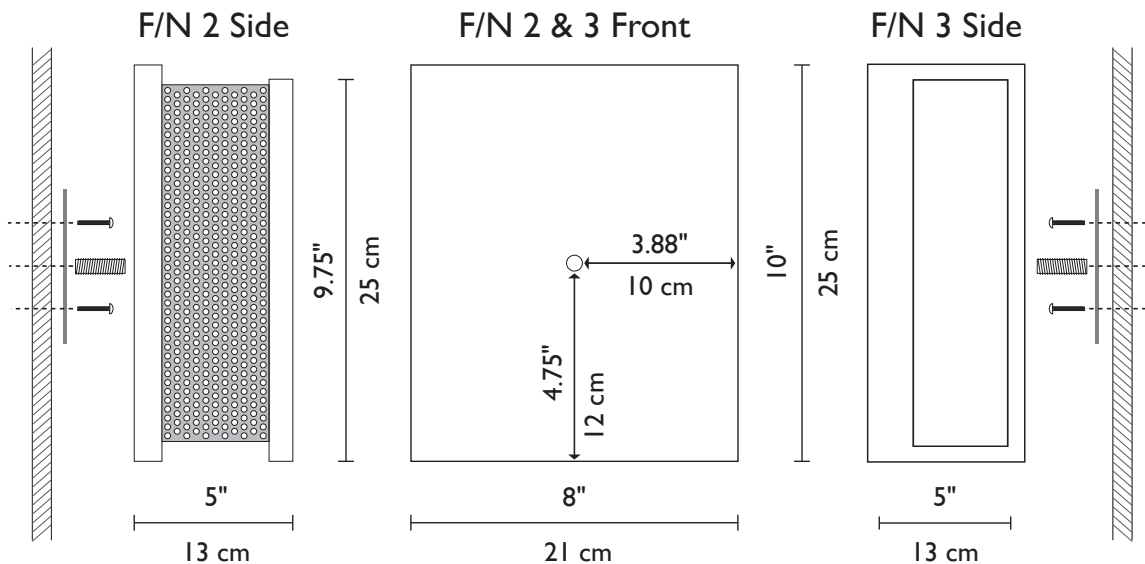
F/N 2 IO & F/N 3 IO (Indoor/Outdoor)

Framed by bronze powder-coated steel, the F/N 2 & 3 IO showcase our collection of handmade Magic Art Glass. By using a combination of exotic elements and a myriad of glass techniques, we have produced an original, whimsical yet elegant line of fixtures illuminated with incandescent lamps.

Technical Information



Mounting Specifications



METAL FINISHES

Standard

Bronze

Silver

Special

Wrought Iron

Visit our showroom at the Dallas Trade Mart

Made in USA

LAMPING

1 x 100w (Max)
 (E27) Medium Base



Wet Location



1881 Industrial Drive
 Libertyville, IL 60048
 Tele: 847.680.9043
 Fax: 847.680.8140
www.wptdesign.com