

# ROSE MODERN SCONCE

shown with  
stainless hardware  
and White glass



shown with  
bronze hardware  
and Red Hot glass



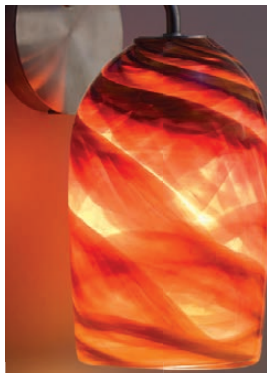
Dark Amber Clear  
glass shown



Light Amber Clear  
glass shown



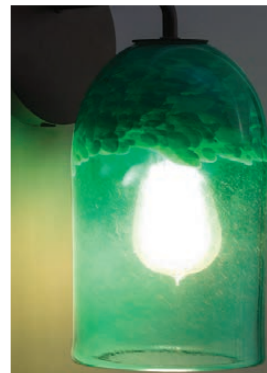
Amber  
glass shown



Clear Blue  
glass shown



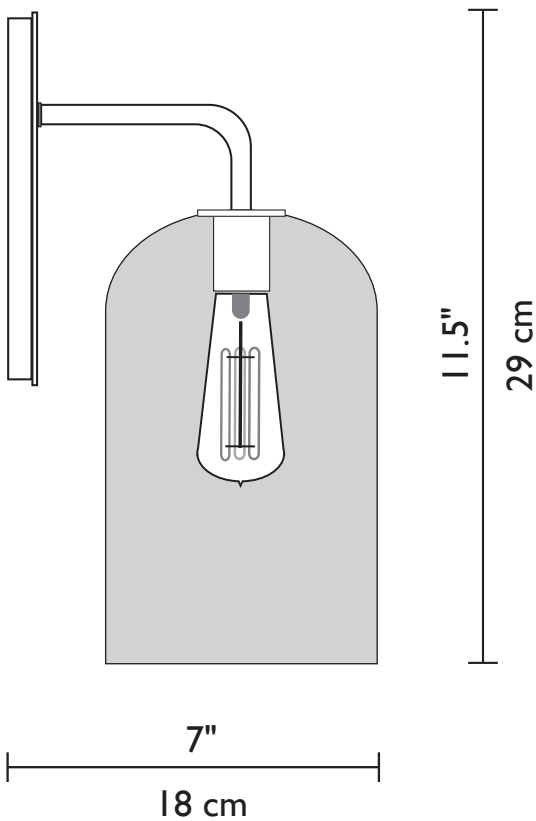
Clear Green  
glass shown



# ROSE MODERN SCONCE

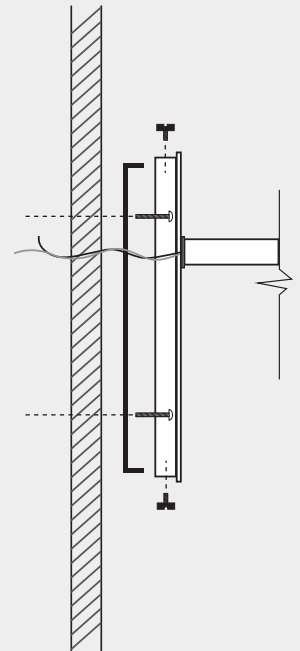
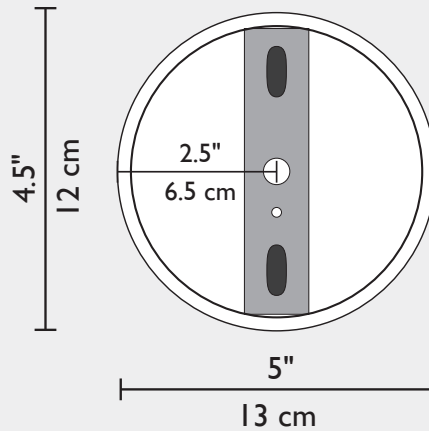
Colored glass chips and powders layered in molten clear crystal comprise the elements of the Rose collection's Modern Sconce. Without light, Rose glass is beautiful art. Illuminated, it is extraordinary. These handmade fixtures are handcrafted to specification in the United States to bring artful form and function to any room. Bronze powdercoated or stainless steel are used to create our modern, cylindrical platforms. Custom colors are possible, please contact us for details.

## Technical Information



## Mounting Information

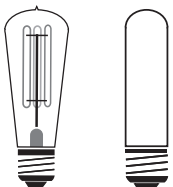
**FINISHES**  
Bronze  
Stainless



Made in USA 

Visit our  
showroom at the  
Dallas Trade Mart

**LAMPING**  
1 x 60w (Max)  
Medium Base



### RECOMMENDED

**ALL CLEAR GLASS DIFFUSERS:**  
60w (E27) Medium Base  
Nostalgic, Edison-style, Carbon  
Filament Bulb

**AMBER / RED HOT:**  
60w (E27) Medium Base "T" Bulb



Dry Location



1881 Industrial Drive  
Libertyville, IL 60048  
Tele: 847.680.9043  
Fax: 847.680.8140  
[www.wptdesign.com](http://www.wptdesign.com)